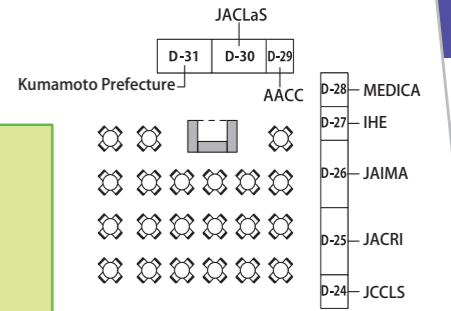


JACLaS EXPO 2017



Alphabetical Index

A	A&T CORPORATION B-1	LEICA MICROSYSTEMS K.K. A-24
	ABBOTT JAPAN CO., LTD. A-1	LION POWER CO. LTD. A-7
	ALFRESA PHARMA CORPORATION B-17	LMS CO., LTD. A-18
	ARKRAY MARKETING, INC. A-26	LSI MEDIENCE CORPORATION D-2
	ASAHI ELECTRO CEMICAL CO., LTD. A-8	
	Asahi KASEI D-5	M
	ASIA LABTECH JAPAN CO., LTD. D-11	M S TECHNOS CORPORATION A-10
	Atleta Co.,Ltd. A-17	MEDICAL & BIOLOGICAL LABORATORIES CO., LTD. B-9
B		MEDICAL JAPAN CO., LTD. B-3
	BECKMAN COULTER K.K. A-24	MEDICATEC INC. B-19
	BIO-RAD LABORATORIES K.K. D-22	MERCK LTD. MERCK MILLIPORE C-6
	BIOTEC CO., LTD. C-4	MIZUHO MEDY CO., LTD. D-13
	BizCom Japan, Inc. C-7	MORITEX CORPORATION B-24
C		N
	CELLAVISION JAPAN K.K. B-25	NICHIRYO CO., LTD. A-20
	CerTest Biotec, S.L. C-19	NIHON KOHDEN CORPORATION B-2
	CGI, K.K. / CAP Survey Japan Office D-18	NIPPON BECTON DICKINSON COMPANY, LTD. C-17
	Copan Italia spa B-21	NIPPON CHEMIPHAR CO., LTD. D-17
D		NIPPON GENE CO., LTD. B-20
	DENKA SEIKEN CO., LTD. A-2	Nippon Genetics Co., Ltd. C-5
	DS PHARMA BIOMEDICAL CO., LTD. B-5	NIPRO CORPORATION C-3
E		NISSUI PHARMACEUTICAL CO., LTD. A-22
	eDoktor Co.,Ltd. D-6	NITTOBO MEDICAL CO., LTD. A-12
	EIKEN CHEMICAL CO., LTD. D-21	NOVA BIOMEDICAL K.K. D-20
	Element HRC CO.,Ltd. A-4	NTT DATA Corporation B-4
	EXCEL CREATES, INC. C-25	O
F		O.B.System Inc. A-16
	FINGGAL LINK CO., LTD. A-3	ORGANO CORPORATION B-10
	ForDx, Inc. D-8	ORTHO-CLINICAL DIAGNOSTICS K.K. C-33
	FUJIFILM MEDICAL CO., LTD. C-2	P
	FUJIREBIO INC. A-27	Precision System Science Co., Ltd. C-20
	FUJITSU LIMITED A-5	PRECISION-SHIBAZAKI CO., LTD. B-22
	FUKUDA DENSHI CO., LTD. B-13	PULSTEC INDUSTRIAL CO.,LTD B-15
G		Q
	GLOBAL VISION CO.,LTD A-6	Q-may Laboratory Corporation B-7
	Golden Bridge (Japan) Technology Development Co., Ltd. C-14	R
	GREINER BIO-ONE CO., LTD. C-24	RADIOMETER K.K. A-24
H		ROCHE DIAGNOSTICS K.K. D-3
	HAMAMATSU PHOTONICS K.K. B-12	S
	HAYASHI WATCH-WORKS CO., LTD. D-7	SANWA KAGAKU KENKYUSHO CO., LTD. B-18
	HEIWA MEDIC. CO., LTD. B-14	SANYO Co.,LTD C-12
	HELENA LABORATORIES JAPAN CO., LTD. A-13	SARSTEDT K.K. C-21
	HITACHI HIGH-TECHNOLOGIES CORPORATION D-3	SEKISUI MEDICAL CO., LTD. D-14
	Hitachi, Ltd. D-3	SHIMADZU CORPORATION C-16
	HONEST CO., LTD. A-14	SIEMENS HEALTHCARE DIAGNOSTICS K.K. B-27
	HORIBA, LTD. D-19	SUGIYAMA-GEN CO.,LTD C-15
I		SUN INFORMATION & SERVICE CORPORATION C-11
	I.L.JAPAN CO., LTD. D-1	SYSMEX CORPORATION C-1
	Ideal Brain Co.,LTD C-26	T
	IDEX HEALTH & SCIENCE LLC A-19	TAKARA BIO INC. A-9
	IDS CO., LTD. A-25	TECAN JAPAN CO., LTD. D-4
	ii-systems A-21	TECHNO MEDICA CO., LTD. D-23
	IMMUCOR K.K. B-8	THERMO FISHER DIAGNOSTICS K.K. A-11
	ISHIKAWA COMPUTER CENTER CO., LTD. D-10	THK CO., LTD. B-26
	ITEC HANKYU HANSHIN CO., LTD. A-23	TOKYO BOEKI MEDISYS INC. A-15
J		TOKYO FUTURE STYLE, INC. B-6
	JCB INDUSTRY LIMITED D-12	TOSHIBA MEDICAL SYSTEMS CORPORATION A-1
	JEOL LTD. A-27	TOSOH CORPORATION D-16
	JOKOH CO., LTD. B-3	TOYO KIZAI KAGAKU CO., LTD. B-11
K		TOYOBO CO., LTD. C-10
	KAINOS LABORATORIES, INC. B-16	TOYOBO ENGINEERING CO., LTD. C-9
	KANTO CHEMICAL CO., INC. D-9	TRINA BIOREACTIVES AG C-22
	KNF JAPAN CO., LTD. C-28	V
	KOBAYASHI CREATE CO., LTD. C-18	VERITAS CORPORATION C-27
	KODEN INDUSTRY CO., LTD. C-29	VIROQUEST C-23
	KUBOTA CORPORATION B-23	W
	KYOCERA CORPORATION C-30	WACON CO., LTD. C-8
	KYOWA MEDEX CO., LTD. C-32	WAKO PURE CHEMICAL INDUSTRIES, LTD. D-15
	KYOWA MEDICEED CO., LTD. C-13	Y
		YOUKEN SCIENCE CO., LTD. C-31



Booth Space Number Index

A-1	ABBOTT JAPAN CO., LTD.	A-17	Atleta Co.,Ltd.	B-3	MEDICAL JAPAN CO., LTD.	B-20	NIPPON GENE CO., LTD.	C-10	TOYOBO CO., LTD.	C-27	VERITAS CORPORATION	D-9	KANTO CHEMICAL CO., INC.
A-1	TOSHIBA MEDICAL SYSTEMS CORPORATION	A-18	LMS CO., LTD.	B-4	NTT DATA Corporation	B-21	Copan Italia spa	C-11	SUN INFORMATION & SERVICE CORPORATION	C-28	KNF JAPAN CO., LTD.	D-10	ISHIKAWA COMPUTER CENTER CO., LTD.
A-2	DENKA SEIKEN CO., LTD.	A-19	IDEX HEALTH & SCIENCE LLC	B-5	DS PHARMA BIOMEDICAL CO., LTD.	B-22	PRECISION-SHIBAZAKI CO., LTD.	C-12	SANYO Co.,LTD	C-29	KODEN INDUSTRY CO., LTD	D-11	ASIA LABTECH JAPAN CO., LTD.
A-3	FINGGAL LINK CO., LTD.	A-20	NICHIRYO CO., LTD.	B-6	TOKYO FUTURE STYLE, INC.	B-23	KUBOTA CORPORATION	C-13	KYOWA MEDICEED CO., LTD.	C-30	KYOCERA CORPORATION	D-12	JCB INDUSTRY LIMITED
A-4	Element HRC CO.,Ltd.	A-21	ii-systems	B-7	Q-may Laboratory Corporation	B-24	MORITEX CORPORATION	C-14	Golden Bridge (Japan) Technology Development Co., Ltd.	C-31	YOUKEN SCIENCE CO., LTD.	D-13	MIZUHO MEDY CO., LTD.
A-5	FUJITSU LIMITED	A-22	NISSUI PHARMACEUTICAL CO., LTD.	B-8	IMMUCOR K.K.	B-25	CELLAVISION JAPAN K.K.	C-15	SUGIYAMA-GEN CO.,LTD	C-32	KYOWA MEDEX CO., LTD.	D-14	SEKISUI MEDICAL CO., LTD.
A-6	GLOBAL VISION CO.,LTD	A-23	ITEC HANKYU HANSHIN CO., LTD.	B-9	MEDICAL & BIOLOGICAL LABORATORIES CO., LTD.	B-26	THK CO., LTD.	C-16	SHIMADZU CORPORATION	C-33	ORTHO-CLINICAL DIAGNOSTICS K.K.	D-15	IWAKO PURE CHEMICAL INDUSTRIES, LTD.
A-7	LION POWER CO. LTD.	A-24	BECKMAN COULTER K.K.	B-10	ORGANO CORPORATION	B-27	SIEMENS HEALTHCARE DIAGNOSTICS K.K.	C-17	NIPPON BECTON DICKINSON COMPANY, LTD.	D-1	I.L.JAPAN CO., LTD.	D-16	TOSOH CORPORATION
A-8	ASAHI ELECTRO CEMICAL CO., LTD	A-24	LEICA MICROSYSTEMS K.K.	B-11	TOYO KIZAI KAGAKU CO., LTD.	C-1	SYSMEX CORPORATION	C-18	KOBAYASHI CREATE CO., LTD.	D-2	LSI MEDIENCE CORPORATION	D-17	NIPPON CHEMIPHAR CO., LTD.
A-9	TAKARA BIO INC.	A-24	RADIOMETER K.K.	B-12	HAMAMATSU PHOTONICS K.K.	C-2	FUJIFILM MEDICAL CO., LTD.	C-19	CerTest Biotec, S.L.	D-3	HITACHI HIGH-TECHNOLOGIES CORPORATION	D-18	CGI, K.K. / CAP Survey Japan Office
A-10	M S TECHNOS CORPORATION	A-25	IDS CO., LTD.	B-13	FUKUDA DENSHI CO., LTD.	C-3	NIPRO CORPORATION	C-20	Precision System Science Co., Ltd.	D-3	Hitachi, Ltd.	D-19	HORIBA, LTD.
A-11	THERMO FISHER DIAGNOSTICS K.K.	A-26	ARKRAY MARKETING, INC.	B-14	HEIWA MEDIC. CO., LTD.	C-4	BIOTEC CO., LTD.	C-21	SARSTEDT K.K	D-3	ROCHE DIAGNOSTICS K.K.	D-20	NOVA BIOMEDICAL K.K.
A-12	NITTOBO MEDICAL CO., LTD.	A-27	FUJIREBIO INC.	B-15	PULSTEC INDUSTRIAL CO.,LTD	C-5	Nippon Genetics Co., Ltd.	C-22	TRINA BIOREACTIVES AG	D-4	TECAN JAPAN CO., LTD.	D-21	EIKEN CHEMICAL CO., LTD.
A-13	HELENA LABORATORIES JAPAN CO., LTD.	A-27	JEOL LTD.	B-16	KAINOS LABORATORIES, INC.	C-6	MERCK LTD. MERCK MILLIPORE	C-23	VIROQUEST	D-5	Asahi KASEI	D-22	BIO-RAD LABORATORIES K.K.
A-14	HONEST CO., LTD.	B-1	A&T CORPORATION	B-17	ALFRESA PHARMA CORPORATION	C-7	BizCom Japan, Inc.	C-24	GREINER BIO-ONE CO., LTD.	D-6	eDoktor Co.,Ltd.	D-23	TECHNO MEDICA CO., LTD.
A-15	TOKYO BOEKI MEDISYS INC.	B-2	NIHON KOHDEN CORPORATION	B-18	SANWA KAGAKU KENKYUSHO CO., LTD.	C-8	WACON CO., LTD.	C-25	EXCEL CREATES, INC.	D-7	HAYASHI WATCH-WORKS CO., LTD.		
A-16	O.B.System Inc.	B-3	JOKOH CO., LTD.	B-19	MEDICATEC INC.	C-9	TOYOBO ENGINEERING CO., LTD.	C-26	Ideal Brain Co.,LTD	D-8	ForDx, Inc.		